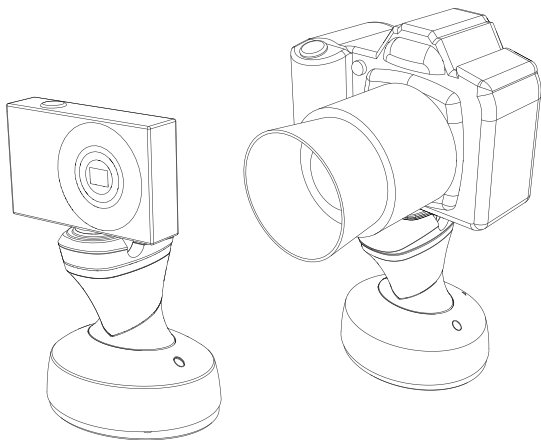


inVUE[®]

Series 940

Thin Sensor



Overview

Read entire instruction guide before starting installation.

System Components

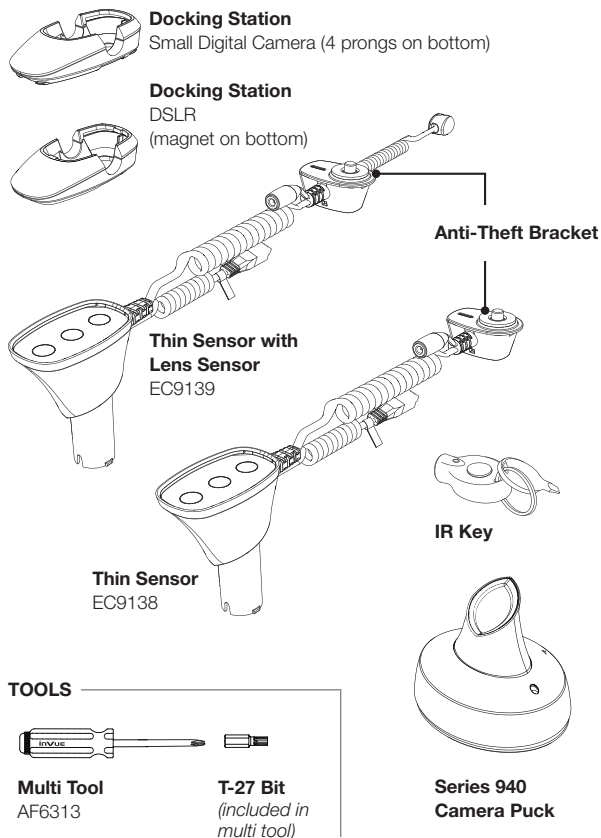
1. Series 940 Camera Puck (EC9100, not included)
2. Thin Sensor (EC9138 or EC9139)
3. Docking Stations (2 included)
4. Anti-Theft Bracket (included)
5. IR Key (not included)

Setup in 5 easy steps:

1. Determine which docking station to use: small digital camera (use docking station with 4 prongs on bottom) or DSLR camera (use docking station with magnet on bottom)
2. Attach docking station.
Note: Once docking station is attached to sensor, it is permanently attached.
3. Attach merchandise to anti-theft bracket and sensor.
Tighten screw.
4. Arm puck with IR key.

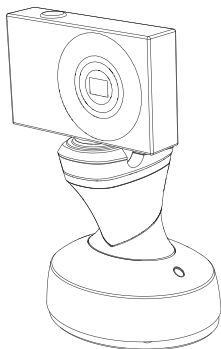
System Overview:

The Thin Sensor secures and powers cameras.



DIGITAL CAMERA INSTALLATION

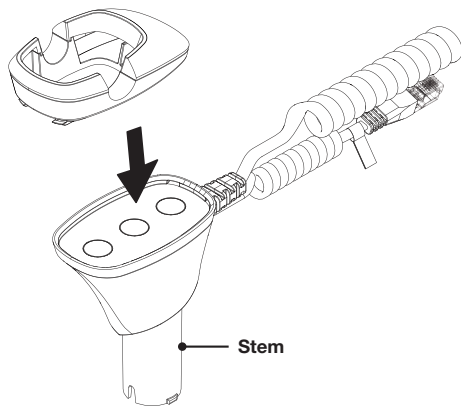
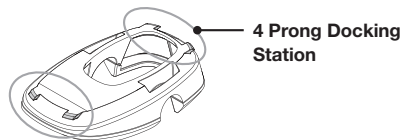
(Use docking station with 4 prongs on bottom.)



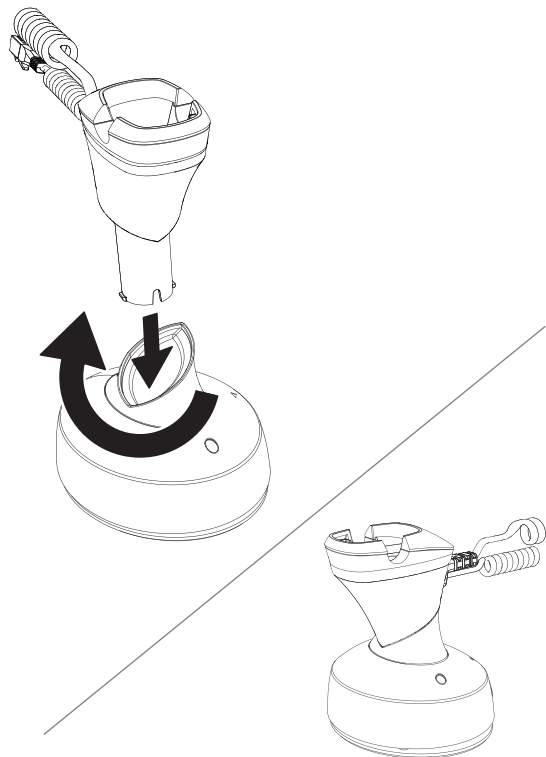
1

Select docking station with 4 prongs on bottom.
Firmly snap docking station into stem.

Note: Once docking station is attached to stem, it is permanently attached.

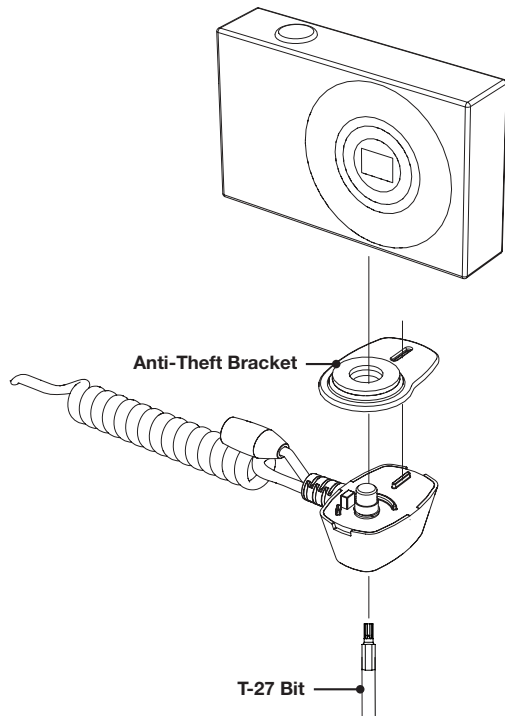


- 2 Firmly snap stem into puck.



- 3 Align anti-theft bracket and camera to sensor. Tighten **SECURELY** with multi-tool (use T-27 bit). **DO NOT** strip plastic threads in camera mount.

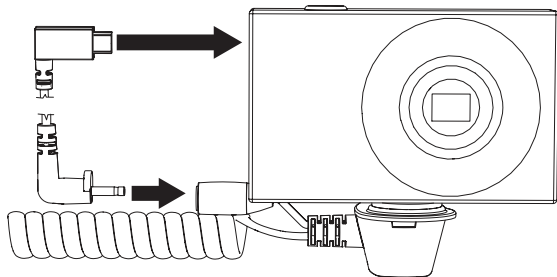
Note: ALWAYS use anti-theft bracket.



4

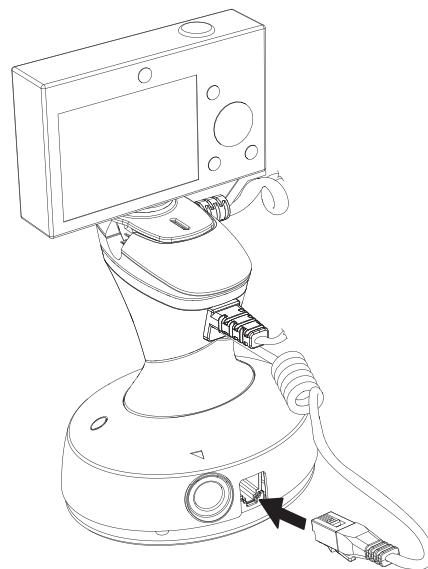
Plug power connector into camera and sensor.*

*To determine which power connector is needed for the merchandise: 1) visit invuesecurity.com, 2) click on *login* and login, 3) click on *power connector selector*.



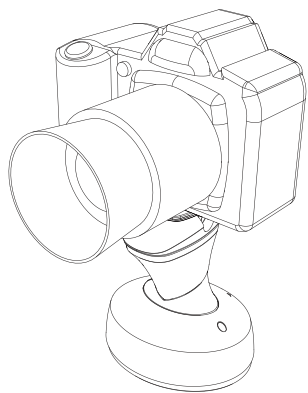
5

Place sensor onto docking station. Plug sensor cord into puck.



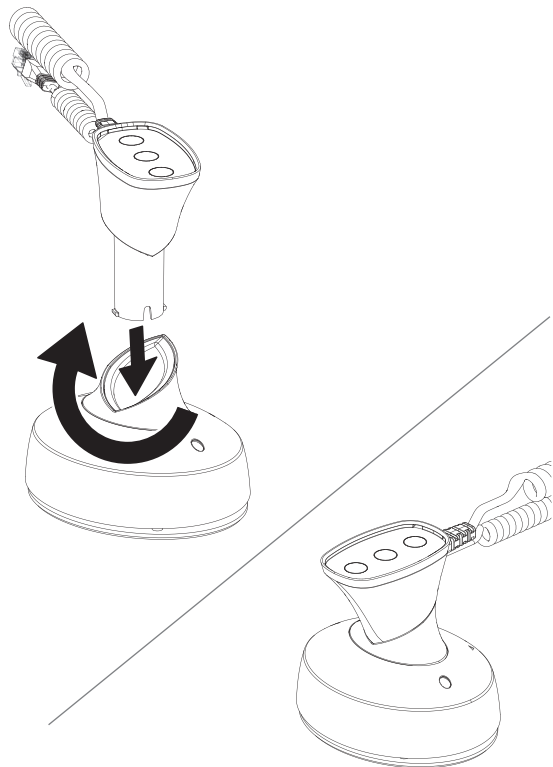
DSLR CAMERA INSTALLATION

(Use docking station with magnet on bottom.)



1

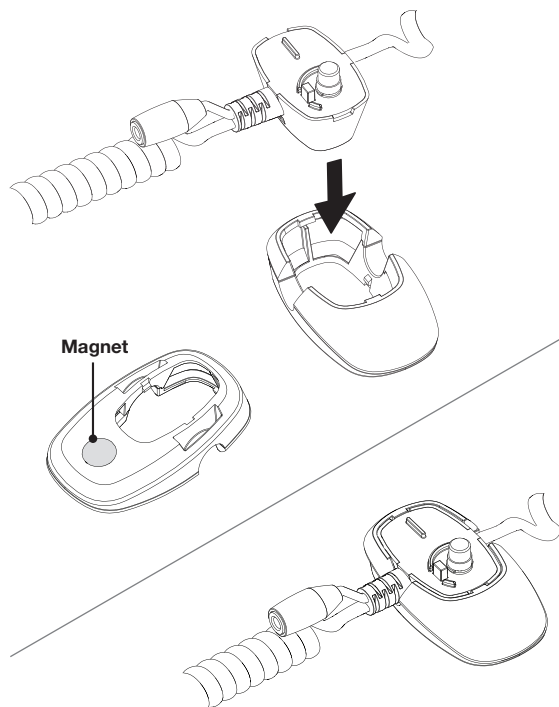
Firmly snap stem into puck.



2

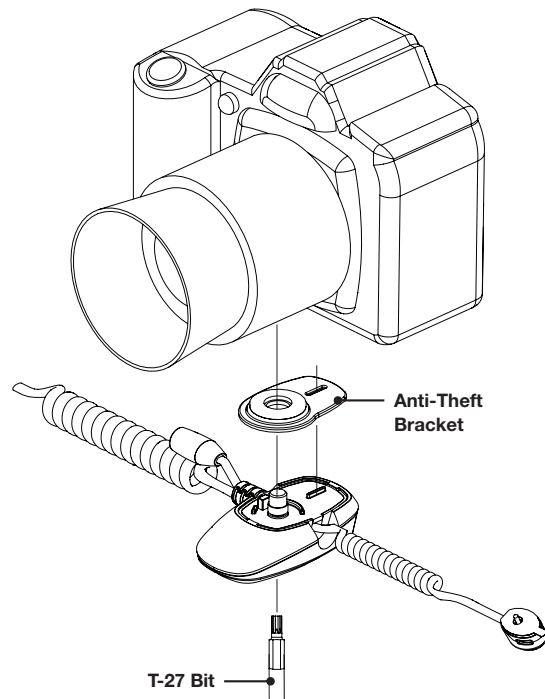
Select docking station with magnet on bottom.
Firmly snap docking station into sensor.

Note: Once docking station is attached to sensor, it is permanently attached.

**3**

Align anti-theft bracket and camera to sensor. Tighten **SECURELY** with multi-tool (use T-27 bit).

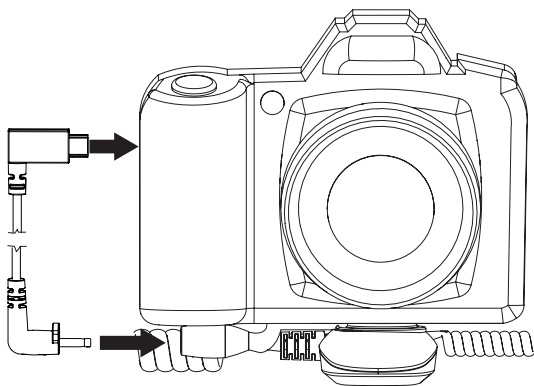
Note: ALWAYS use anti-theft bracket.



4

Plug power connector into camera and sensor.*

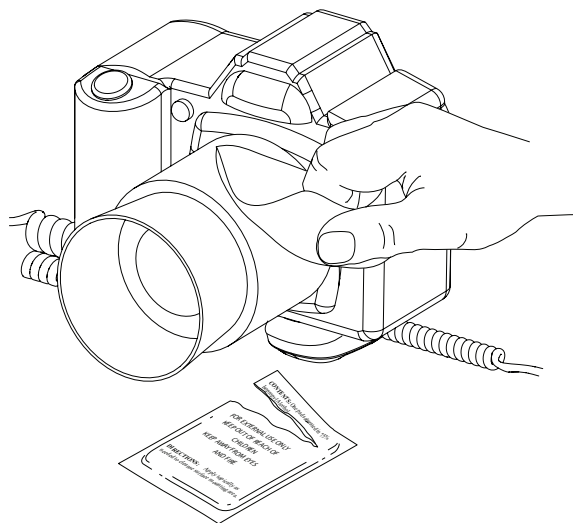
*To determine which power connector is needed for the merchandise: 1) visit invuesecurity.com, 2) click on *login* and login, 3) click on *power connector selector*.



5

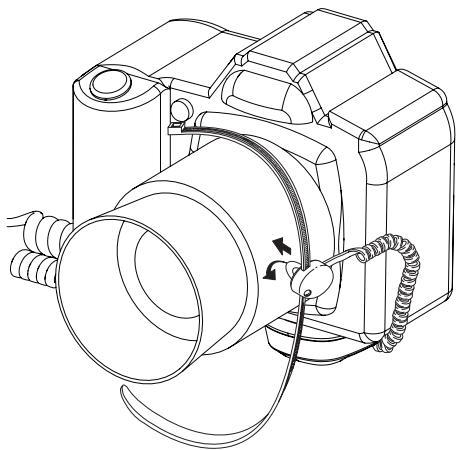
Wipe merchandise with alcohol wipe provided.

Let it dry completely.

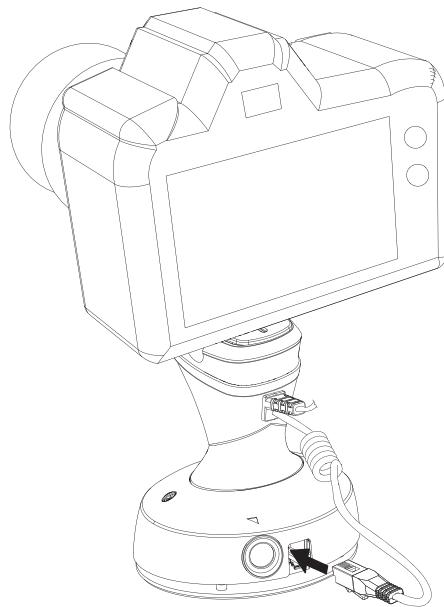


6

Remove clear film from lens sensor. Press firmly for at least 10 seconds. Wrap zip tie around lens tightly.

**7**

Place docking station onto sensor. Plug sensor cord into puck.



invUE®

tough security made easy

www.invuesecurity.com

Corporate Office (North America) // 704.752.6513 • 888.55.INVUE

Europe, Middle East & Africa // +31.23.8900150

Asia Pacific // +852.3127.6811

Latin America // +52.55.9000.3957